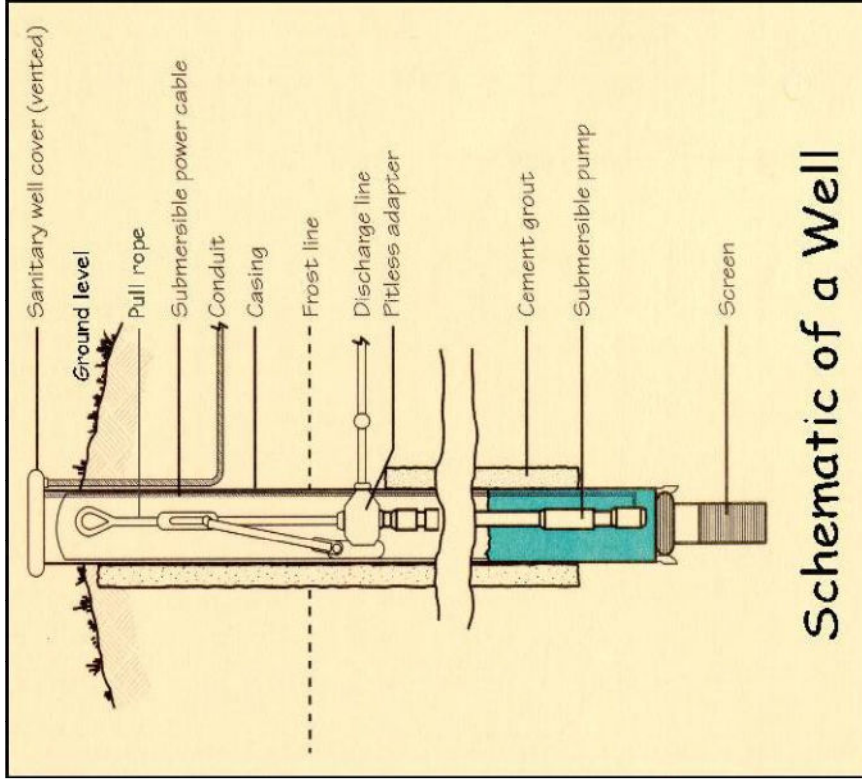




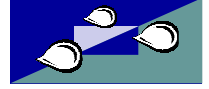
WELL MAINTENANCE LOG

PRIVATE WATER WELL MAINTENANCE

Test	Month/Yr 2007	Month/Yr 2008	Month/Yr 2009	Month/Yr 2010
	Results	Results	Results	Results
Coliform				
Total Nitrates				
Conductivity				
Other				
Disinfection				
Check Cap				
Check Grout & Casing				



Schematic of a Well



Lewis & Clark County
 Water Quality Protection District
 316 N. Park
 Helena, MT 59623
 (406) 457-8927 or 457-8584

MAINTAINING YOUR WELL IS A THREE-STEP PROCESS: PROTECT, INSPECT, AND TEST.

1. **Protect**- Protect your well from potential contaminant sources.

These include :

- Your own or your neighbor's septic system
- Fertilizers
- Pesticides and herbicides
- Confined livestock— manure piles
- Leaking underground fuel tanks
- Stormwater runoff
- Industry
- Chemical Spills
- Flooding
- Vermiin— insects



2. **Inspect**— At minimum, you should inspect your well annually.

Inspect the grouting and well casing to see that there are no cracks; check the cap to see that it is tight.

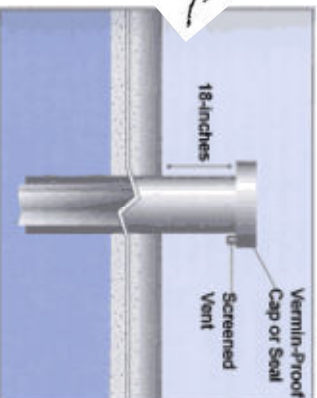
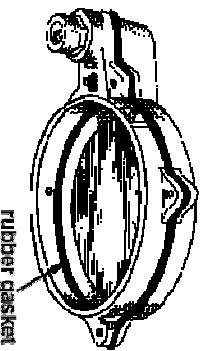
Seal the space between the casing and sides of the hole with grout to prevent pollutants from seeping into the well

Install a tight-fitting, screened, vermin-proof well cap to prevent contaminants from flowing down the well casing.

Construct a mound of soil around the wellhead that allows drainage away from the wellhead.

3. **Test**-Test your well water annually. We recommend testing for total coliform, conductivity, and total nitrates.

Vermiin-Proof Cap



HOW DO I GO ABOUT TESTING MY WELL WATER?

Test your well water annually. Government and city agencies do not monitor water quality for private wells. Ask at the Lewis and Clark County Water Quality Protection District (406) 457-8927 or 457-8584 or the County Health Department (447-8351) if there are other recommended tests.

There are three laboratories in the Helena area which offer well water testing.

Alpine Analytical, Inc.
1315 Cherry Avenue
449-6282

Energy Laboratories, Inc.
3161 East Lyndale
442-0711

Environmental Laboratory, MT Department of Public Health and Human Services (DPHHS)
1400 Broadway
444-2642

Call before you collect your water sample. Lab personnel will either ask you to come by and pick up a container or they may be able to mail one to you.

If your test results come back outside the normal range, please call the Lewis and Clark County Water Quality Protection District. We can answer your questions and provide instructions on disinfecting your well, if necessary.

Keep a record of your annual test results on the back.